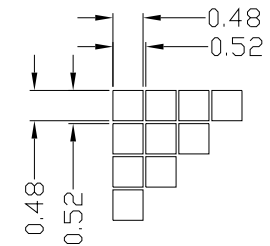
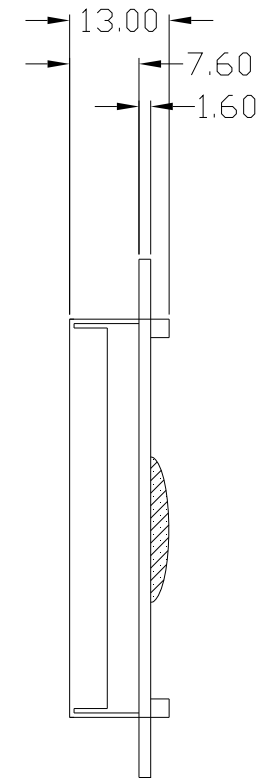
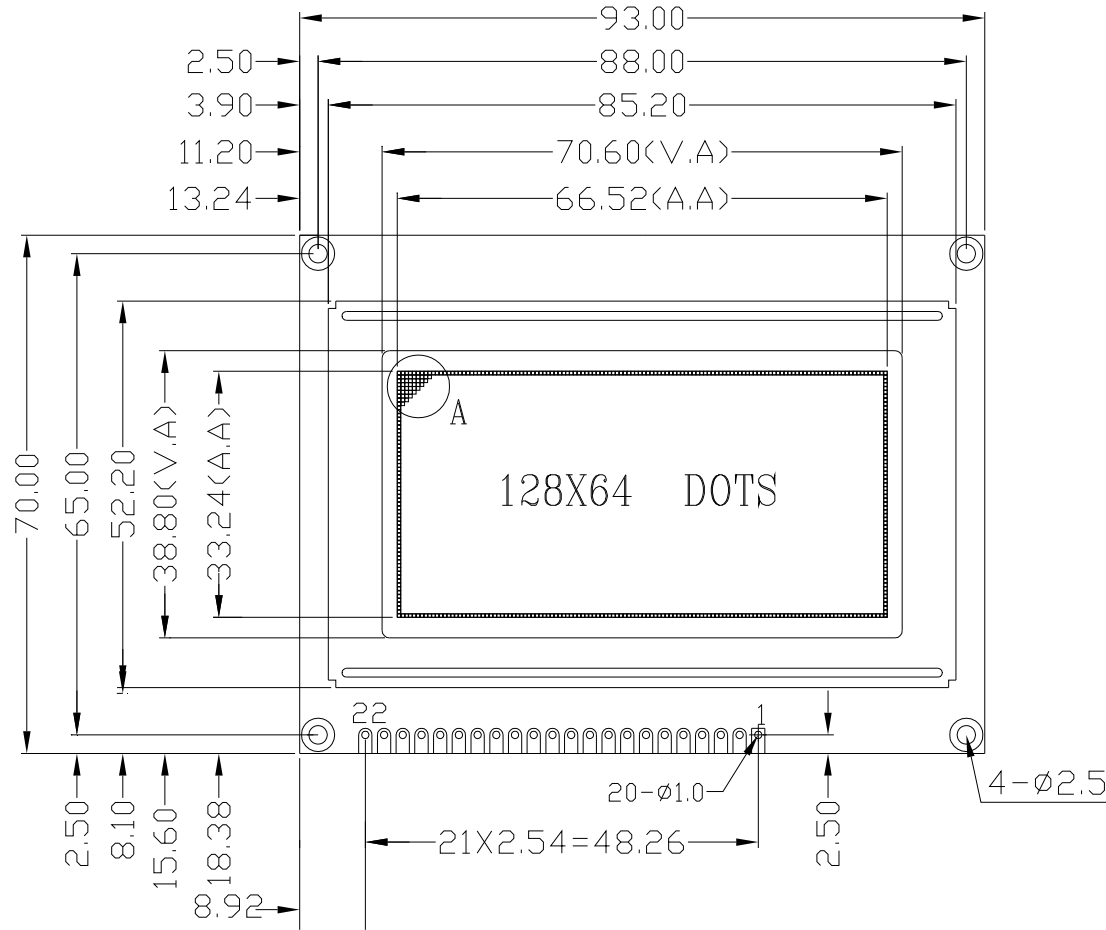


PIN ASSIGNMENT	
NO.	SYMBOL
1	VSS
2	VDD
3	V0
4	RS
5	RW
6	E
7	DB0
8	DB1
9	DB2
10	DB3
11	DB4
12	DB5
13	DB6
14	DB7
15	CS1
16	CS2
17	RST
18	VEE
19	LEDA
20	R
21	G
22	B



Detail "A"

NOTES:

1. DISPLAY TYPE: STN (YELLOW-GREEN), TRANSFLECTIVE, POSITIVE \triangle/\triangle
2. DRIVE METHOD: 1/64 DUTY, 1/9 BIAS, VDD=5.0V, VOP=10.5V
3. VIEWING DIRECTION: 6:00 O'CLOCK
4. IC DRIVER: AIP31107 + AIP31108
5. OPERATING TEMP.: -20°C ~ 70°C
6. STORAGE TEMP.: -30°C ~ 80°C
7. BACKLIGHT: YELLOW-GREEN LED
8. GENERAL TOLERANCE: $\pm 0.3\text{MM}$
9. ROHS COMPLIANT



MULTI-INNO TECHNOLOGY CO., LTD.

DRAWN BY:	RITA	20170227	SCALE : 1/1	MODULE P/N:
CHECKED BY:			UNIT:	MI12864BH-1
APPROVED BY:			mm	DESCRIPTION:
VERSION NO:	03			GRAPHIC MODULE

VER.	REVISED DESCRIPTION	REVISER	DATE
03	CORRECT THE DISPLAY TYPE IN NOTES FROM TRANSMISIVE TO TRANSFLECTIVE	RITA	2019.05.31
02	CORRECT THE DISPLAY TYPE IN NOTES	RITA	2019.05.29
01	FIRST ISSUE	RITA	2017.02.27